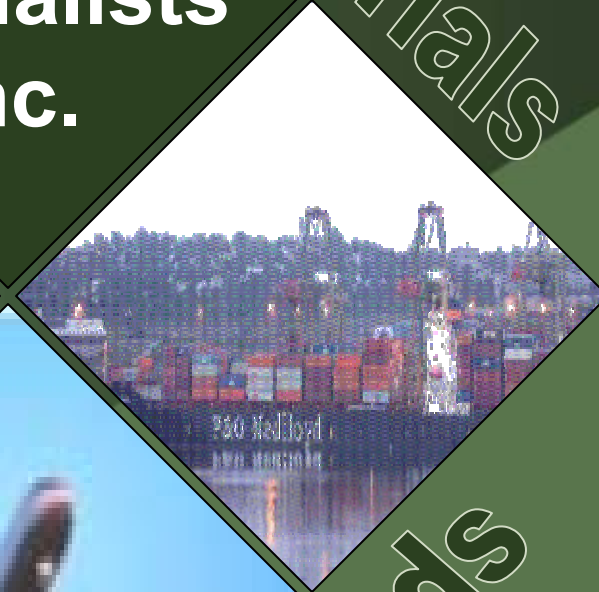


Hazardous

Materials

**Safety
Specialists
Inc.**



Dangerous



Goods

**Safety
Specialists
Inc.**

Ken Holloway

Safety Specialists, Inc.

Charlotte, NC

A diamond-shaped logo with a black border containing the text "Safety Specialists Inc." in white.

Safety
Specialists
Inc.

COMAT

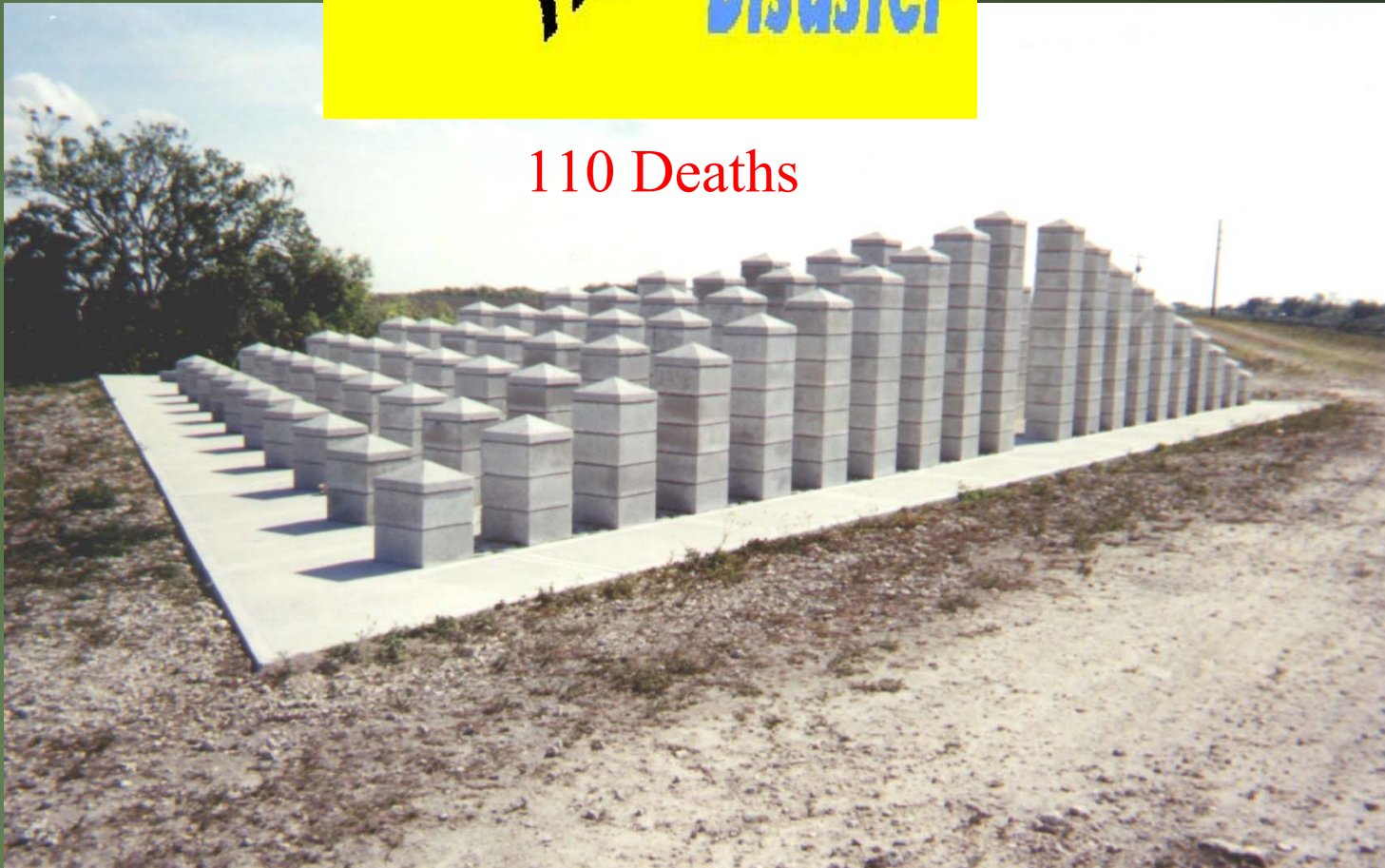
COMPANY MATERIAL

AOG Spares

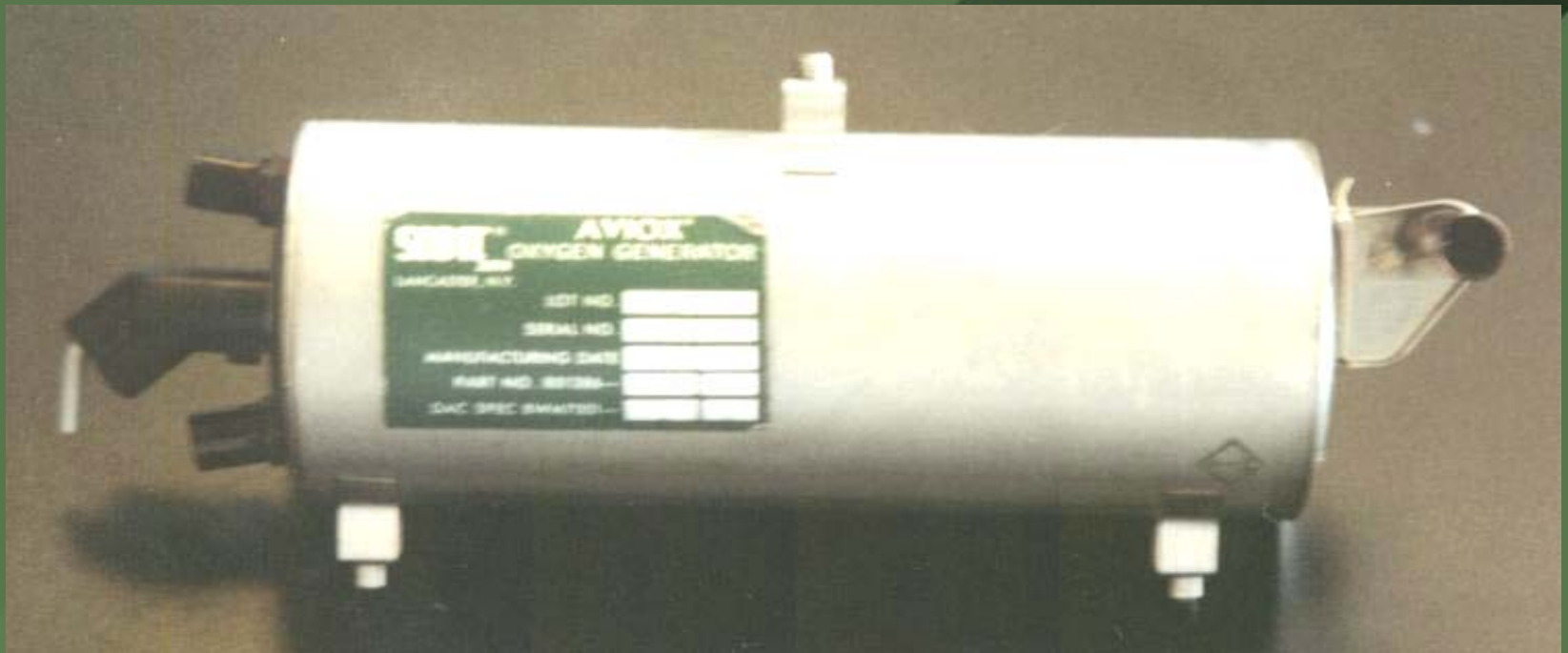
Safety
Specialists
Inc.



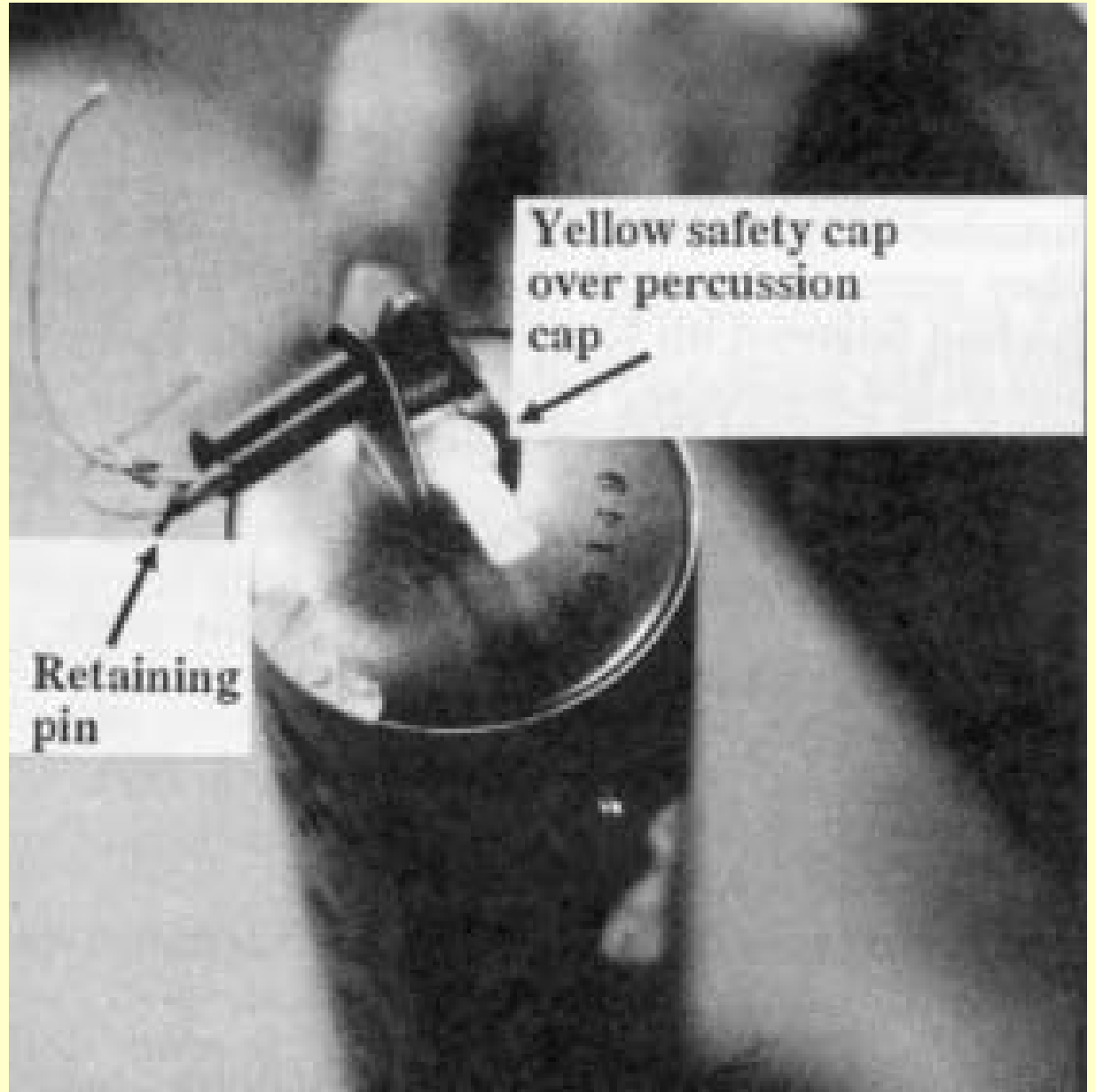
110 Deaths



Oxygen Generator



Safety
Specialists
Inc.





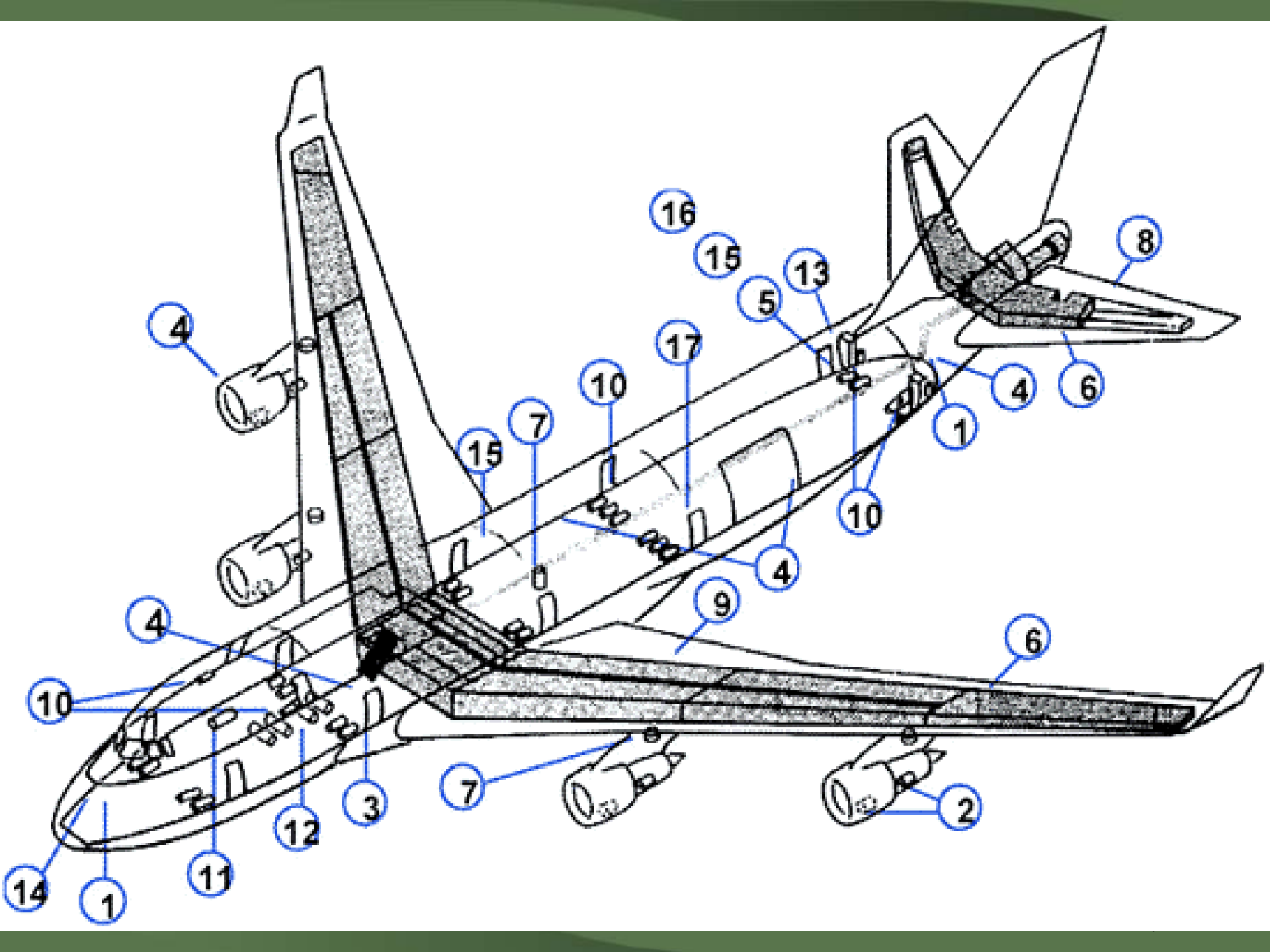
You just saw 110 reasons

Safety
Specialists
Inc.

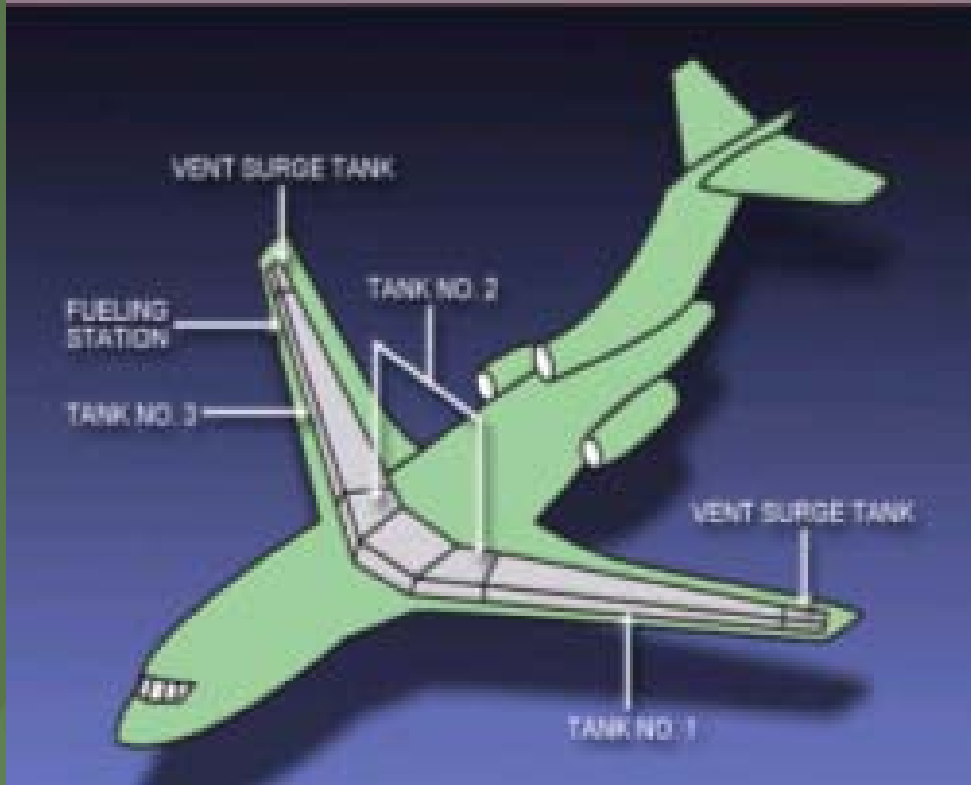
NOT COMAT



Safety
Specialists
Inc.



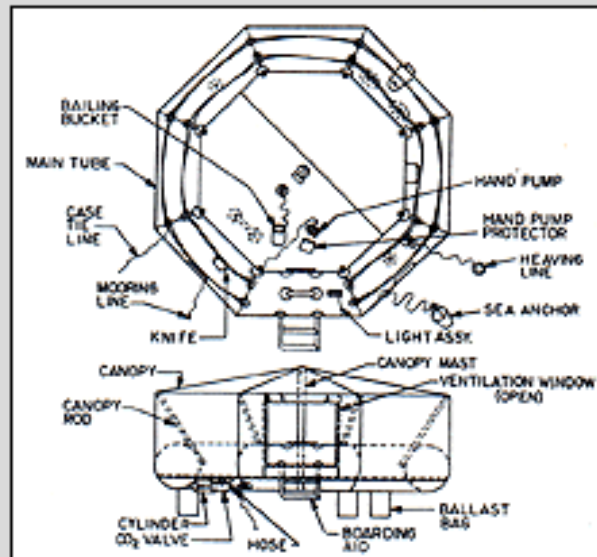
Hazmat Essential to the Operation of the Aircraft



- Aviation Fuel and Oil
- Fire Extinguishers
- Oxygen Generators
- Escape Chutes
- Life Rafts

Life Rafts

Models: FR-2, FR-4, FR-6, & FR-8





Safety
Specialists
Inc.

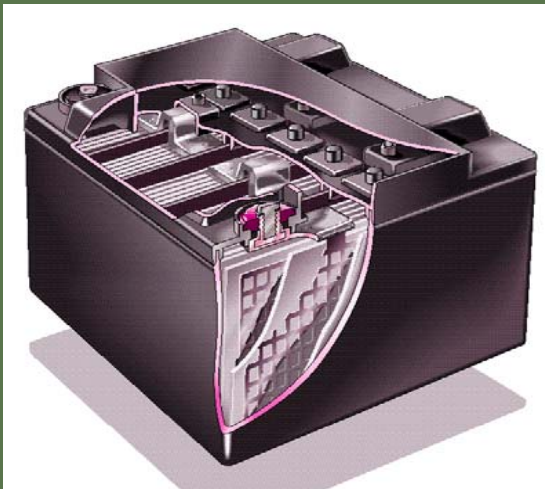


12 9 2003

Replacement Equipment



- Aircraft spare and supplies must be packaged equivalent to the 49 CFR requirements
- Aircraft batteries are not subject to quantity limitations
- Aircraft tire may not be inflated above max pressure allowed.





Safety
Specialists
Inc.



Safety
Specialists
Inc.



RESERVE

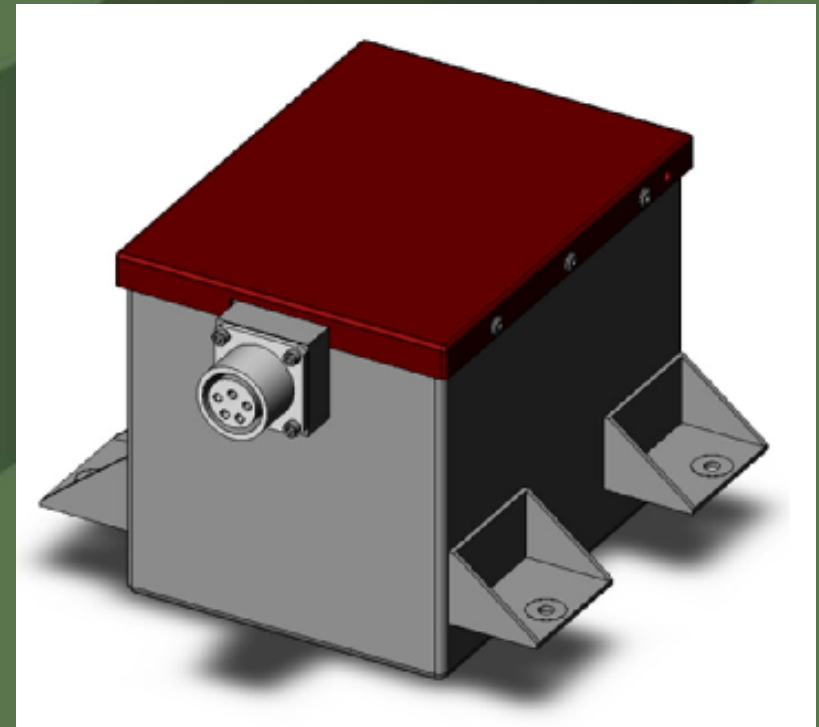
NORMAL

FILLED WITH
HALON 1211

1211
1211
1211

Nonspillable Batteries

- Are excepted from regulations but
 - Must be protected against short circuit
 - Securely packaged
- Batteries manufactured after September 5, 1995
 - Both the battery and the outer packaging must be marked “NONSPILLABLE” or “NONSPILLABLE BATTERY”
 - Battery must be capable of passing vibration and pressure differential tests



Spillable Batteries



- Packaged in leak proof packaging with enough absorbent to absorb all of the batteries content
- Label package with Corrosive label
- Pilot in Command must be notified

Other Examples



Safety
Specialists
Inc.

Hazardous Materials for personal use in baggage

- Passengers and crew may have hazmat for personal use in their check in or carry on baggage
- Lighters, non-radioactive medicines and toiletry items may include aerosols



Wheelchairs and other mobility devices

- Mobility devices such as a wheelchair can be accepted as checked baggage if
 - Battery is disconnected and terminals are insulated
 - Battery must be
 - securely attached to the wheelchair or
 - Removed and properly marked and packed in strong outer packaging



Hazardous Materials required for the medical needs of passenger and crew may also be carried

- Oxygen
- Implanted medical devices, such as a pacemaker



Additional personal items

- Small arms ammunition in checked baggage
- Alcoholic beverages



Miscellaneous Hazardous Materials Exceptions on an Aircraft



- Dry ice for food and beverage service
- Alcoholic beverages, perfumes and colognes for sale
- Medical thermometer
- Weather agency barometer



Aircraft

Airports & Air Traffic

Data & Statistics

Education & Research

Licenses & Certificates

Regulations & Policies

Safety

Search



Powered by Google

Quick Find:



Security and Hazardous Materials Topics

Programs & Services

Hazardous Materials

Air Carrier Information

Passenger Information

Regulations & Policies

Internal Security

Investigations

Contact Information

Partnerships

Key Officials

Regulations & Policies

- [Hazardous Materials Regulations](#)
- [Prohibiting Airline Passengers from Carrying Lighters](#) (PDF) (TSA Rulemaking)
- [When Baggage Containing Hazardous Materials Has Been "Offered by Passengers and Accepted by Air Carriers"](#) (PDF) (DOT Interpretation)

faa.gov Tools

Print this page

Email this page

Dangerous Goods Advisory Bulletins

Number	Document Title
DGAB 00-01 (PDF)	Passenger Personal Liquid Oxygen Canister
DGAB 00-02 (PDF)	Transportation of Lithium Batteries
DGAB 01-01 (PDF)	Transportation of Hydrogen Peroxide H ₂ O ₂
DGAB 02-01 (PDF)	Transportation of Batteries and Devices That Contain Batteries
DGAB 99-02 (PDF)	Transportation of Batteries and Devices That Contain Batteries
DGAB-98-01A (PDF)	Fireworks Manufactured in Mexico
DGAB 98-02 (PDF)	Fuel Control Units
DGAB 98-03 (PDF)	Liquid Nitrogen in Dewars
DGAB 96-01 (PDF)	Prohibition of Oxygen Generators Aboard Passenger Aircraft

Updated: 11:59 am ET November 9, 2005



U.S. Department of Transportation

Federal Aviation Administration
800 Independence Avenue, SW
Washington, DC 20591
1-866-TELL-FAA (1-866-835-5322)

NOT COHMAT



Safety
Specialists
Inc.



Questions?

Safety
Specialists
Inc.

Thank You

Safety
Specialists
Inc.

*Safety
Specialists
Inc.*

Visit our website

<http://www.hazmathelp.com>

Safety
Specialists
Inc.